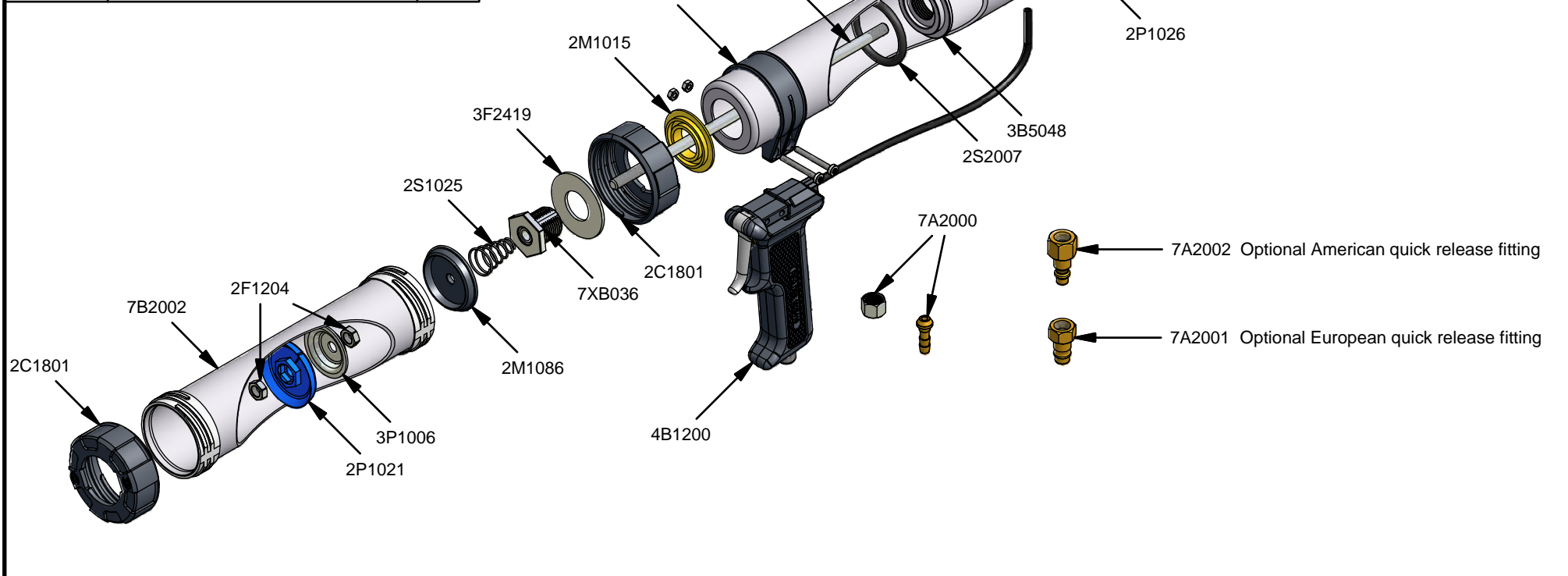


Parts List			Parts List		
STOCK No	DESCRIPTION	QTY	STOCK No	DESCRIPTION	QTY
2C1801	Cap Plastic 2 Start	2	7A2001	European Quick Release Fitting Assembly	1
2F1204	M8 Lock Nut	2	7A2002	US Quick Release Fitting Assembly	1
2M1015	Yellow Plastic Washer	1	7B2002	Barrel 229mm	1
2M1086	Cartridge Locator	1	7B3057	Rear Barrel	1
2M2044	Dump Valve Body	1	7C1001	Air Gun Back Cap	1
2P1021	Split Sachet Plunger	1	7R1077	Rod 267mm	1
2P1026	Series 2 Piston Body	1	7XB036	Hexagonal Zinc Barrel Screw (Bushed)	1
2S1025	Cartridge Locator Spring	1	7XS007	Barrel Strap Assembly (including screws/nuts)	1
2S2007	O Ring	2			
2S2144	U Type Seal	1			
2S2150	Dump Valve Diaphragm	1			
3B5048	Bulkhead	1			
3F2419	Steel Washer	1			
3F3005	Cord Retainer Pin	1			
3P1006	Steel 40mm 'Tin Hat' Plunger	1			
4B1200	Air Gun Butt Assembly	1			
7A1503	Regulator Assembly (including O ring and washer)	1			
7A2000	Standard Nut and Tail Connection	1			



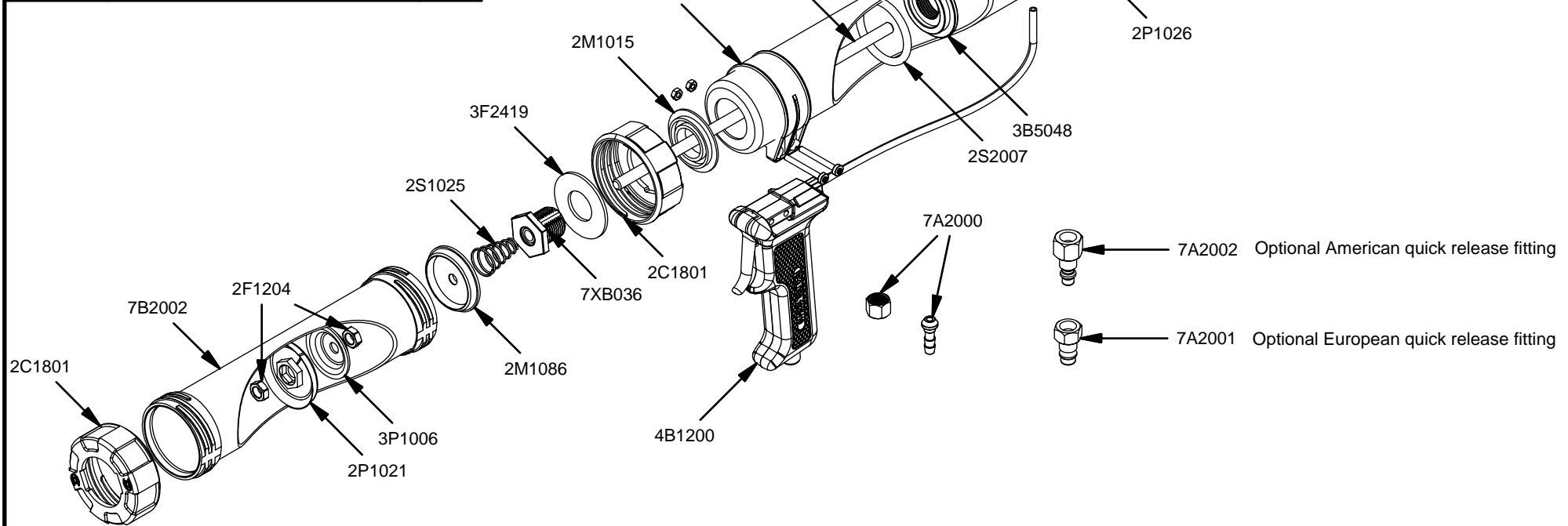
# Airflow I Combi 310



www.pccox.co.uk  
 sales@pccox.co.uk  
 TEL:44(0)1635 264500

REV	DATE
G	01/09/2006

Parts List			Parts List		
STOCK No	DESCRIPTION	QTY	STOCK No	DESCRIPTION	QTY
2C1801	Cap Plastic 2 Start	2	7A2001	European Quick Release Fitting Assembly	1
2F1204	M8 Lock Nut	2	7A2002	US Quick Release Fitting Assembly	1
2M1015	Yellow Plastic Washer	1	7B2002	Barrel 229mm	1
2M1086	Cartridge Locator	1	7B3057	Rear Barrel	1
2M2044	Dump Valve Body	1	7C1001	Air Gun Back Cap	1
2P1021	Split Sachet Plunger	1	7R1077	Rod 267mm	1
2P1026	Series 2 Piston Body	1	7XB036	Hexagonal Zinc Barrel Screw (Bushed)	1
2S1025	Cartridge Locator Spring	1	7XS007	Barrel Strap Assembly (including screws/nuts)	1
2S2007	O Ring	2			
2S2144	U Type Seal	1			
2S2150	Dump Valve Diaphragm	1			
3B5048	Bulkhead	1			
3F2419	Steel Washer	1			
3F3005	Cord Retainer Pin	1			
3P1006	Steel 40mm 'Tin Hat' Plunger	1			
4B1200	Air Gun Butt Assembly	1			
7A1503	Regulator Assembly (including O ring and washer)	1			
7A2000	Standard Nut and Tail Connection	1			



# Airflow I Combi 310



www.pccox.co.uk  
 sales@pccox.co.uk  
 TEL:44(0)1635 264500

REV  
 G

DATE  
 01/09/2006