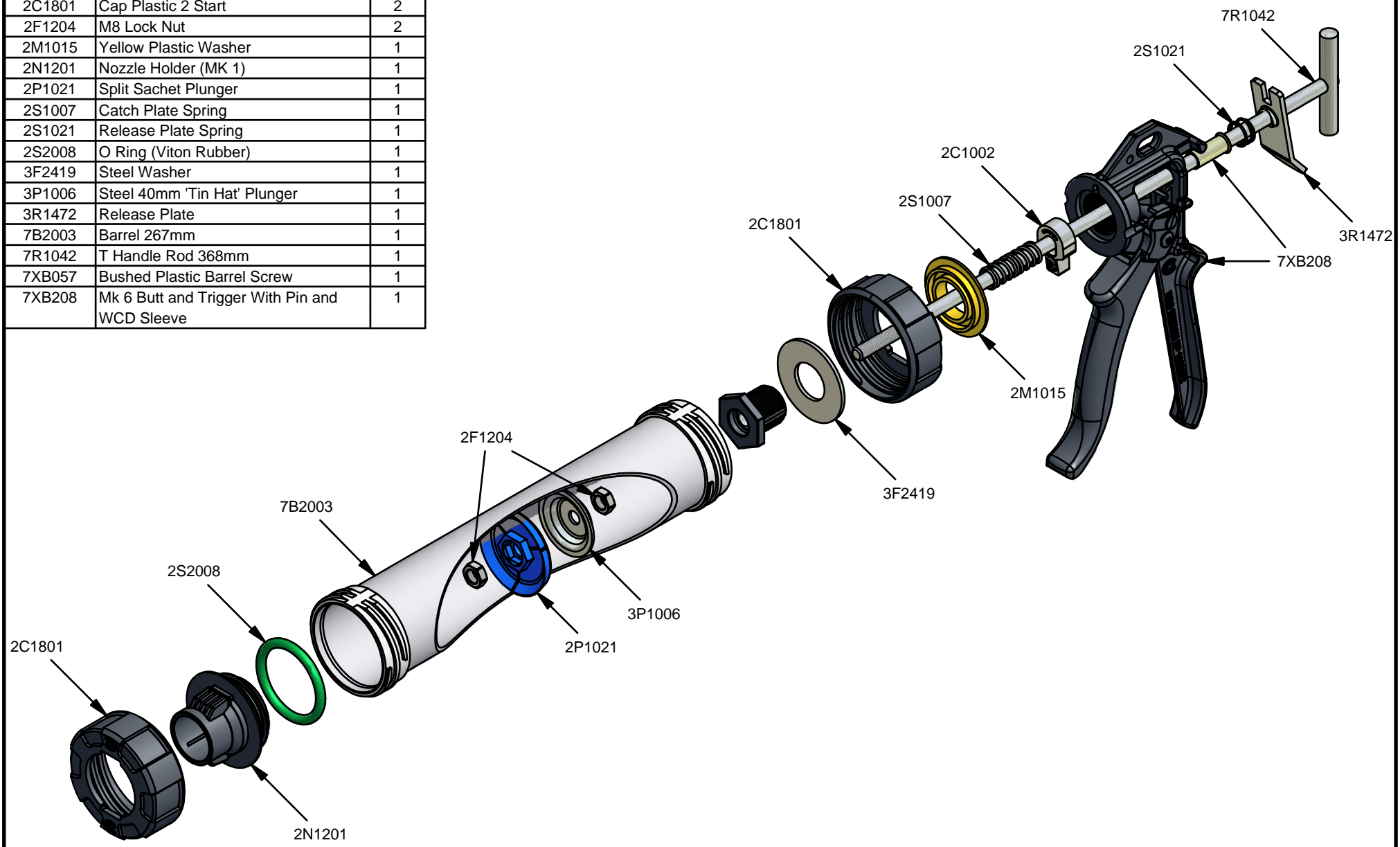


| Parts List | | |
|------------|-----------------------------------------------|-----|
| STOCK No | DESCRIPTION | QTY |
| 2C1002 | Mk5 Catch Plate | 1 |
| 2C1801 | Cap Plastic 2 Start | 2 |
| 2F1204 | M8 Lock Nut | 2 |
| 2M1015 | Yellow Plastic Washer | 1 |
| 2N1201 | Nozzle Holder (MK 1) | 1 |
| 2P1021 | Split Sachet Plunger | 1 |
| 2S1007 | Catch Plate Spring | 1 |
| 2S1021 | Release Plate Spring | 1 |
| 2S2008 | O Ring (Viton Rubber) | 1 |
| 3F2419 | Steel Washer | 1 |
| 3P1006 | Steel 40mm 'Tin Hat' Plunger | 1 |
| 3R1472 | Release Plate | 1 |
| 7B2003 | Barrel 267mm | 1 |
| 7R1042 | T Handle Rod 368mm | 1 |
| 7XB057 | Bushed Plastic Barrel Screw | 1 |
| 7XB208 | Mk 6 Butt and Trigger With Pin and WCD Sleeve | 1 |



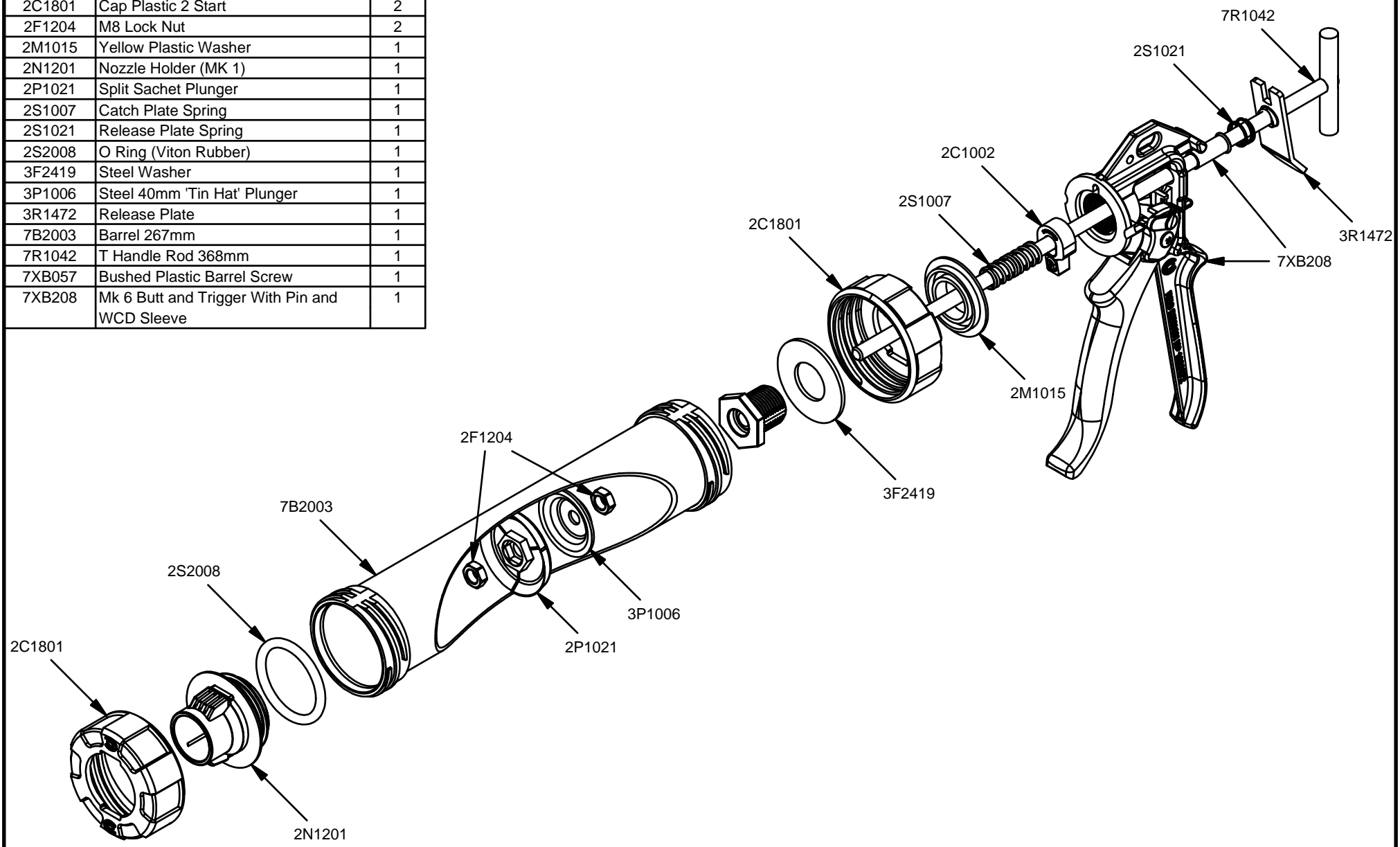
Powerflow Combi 400 HP Sachet



www.pccox.co.uk
 sales@pccox.co.uk
 TEL:44(0)1635 264500

| | |
|-----|------------|
| REV | DATE |
| D | 28/04/2010 |

| Parts List | | |
|------------|-----------------------------------------------|-----|
| STOCK No | DESCRIPTION | QTY |
| 2C1002 | Mk5 Catch Plate | 1 |
| 2C1801 | Cap Plastic 2 Start | 2 |
| 2F1204 | M8 Lock Nut | 2 |
| 2M1015 | Yellow Plastic Washer | 1 |
| 2N1201 | Nozzle Holder (MK 1) | 1 |
| 2P1021 | Split Sachet Plunger | 1 |
| 2S1007 | Catch Plate Spring | 1 |
| 2S1021 | Release Plate Spring | 1 |
| 2S2008 | O Ring (Viton Rubber) | 1 |
| 3F2419 | Steel Washer | 1 |
| 3P1006 | Steel 40mm 'Tin Hat' Plunger | 1 |
| 3R1472 | Release Plate | 1 |
| 7B2003 | Barrel 267mm | 1 |
| 7R1042 | T Handle Rod 368mm | 1 |
| 7XB057 | Bushed Plastic Barrel Screw | 1 |
| 7XB208 | Mk 6 Butt and Trigger With Pin and WCD Sleeve | 1 |



Powerflow Combi 400 HP Sachet



www.pccox.co.uk
 sales@pccox.co.uk
 TEL:44(0)1635 264500

| | |
|-----|------------|
| REV | DATE |
| D | 28/04/2010 |